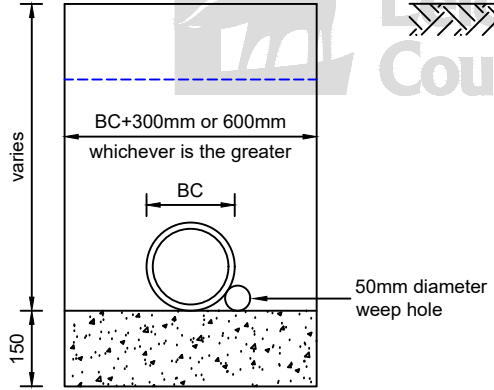
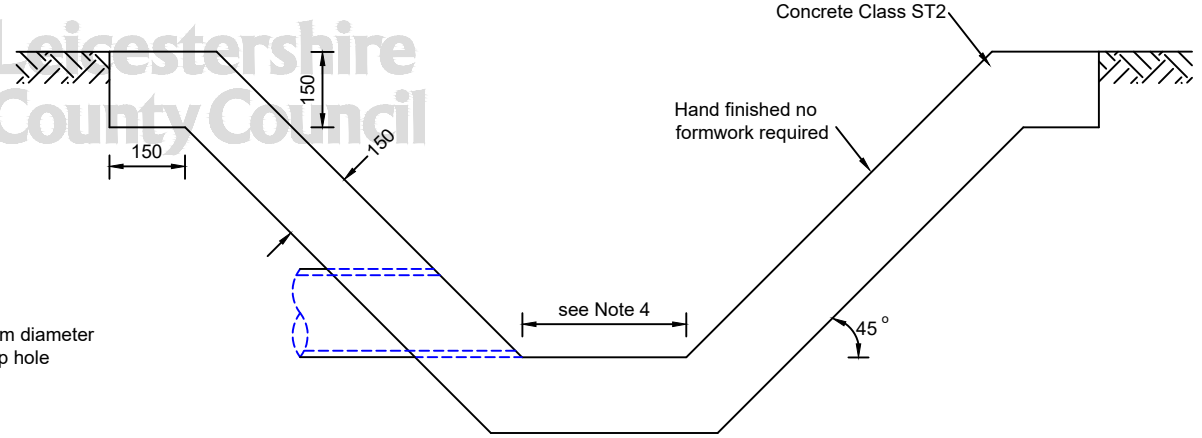


Leicestershire
County Council

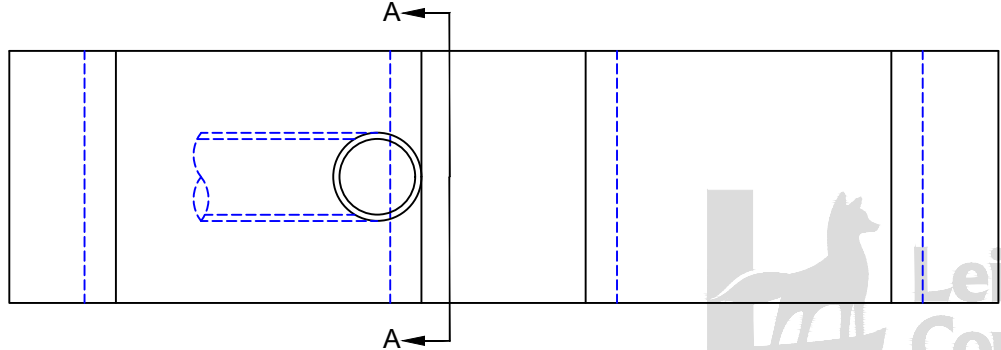


SECTION A-A

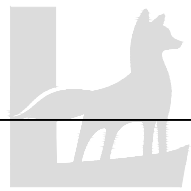


CROSS SECTION

- NOTES:
1. All dimensions are in millimetres unless otherwise stated.
 2. Where the pipe enters the ditch at an angle, the ditch lining must be at the same angle.
 3. Maximum internal diameter of pipe, 'D' is 300mm.
 4. Width of bottom of ditch dependent on maximum size of pipe outflowing to ditch - see Drg No **SD/500/27**.
 5. Edge of excavation to be used as formwork.
 6. BC = Outside diameter.



PLAN



Leicestershire
County Council

©Crown copyright 2015. All rights reserved. Use of this image is limited to viewing on-line and printing one copy. Leicestershire County Council. 100019271.

DRAWING NUMBER	DATE			
SD/500/31	APRIL 2024			
AUTOCAD REF	SCALE			
K:\GENERAL\ID9997\STDDRG\STD DRGS 2015	NOT TO SCALE	0	01.04.2024	Supersedes Dwg. SD/5/31 - September 2002
Rev	Date	Notes on Revision		