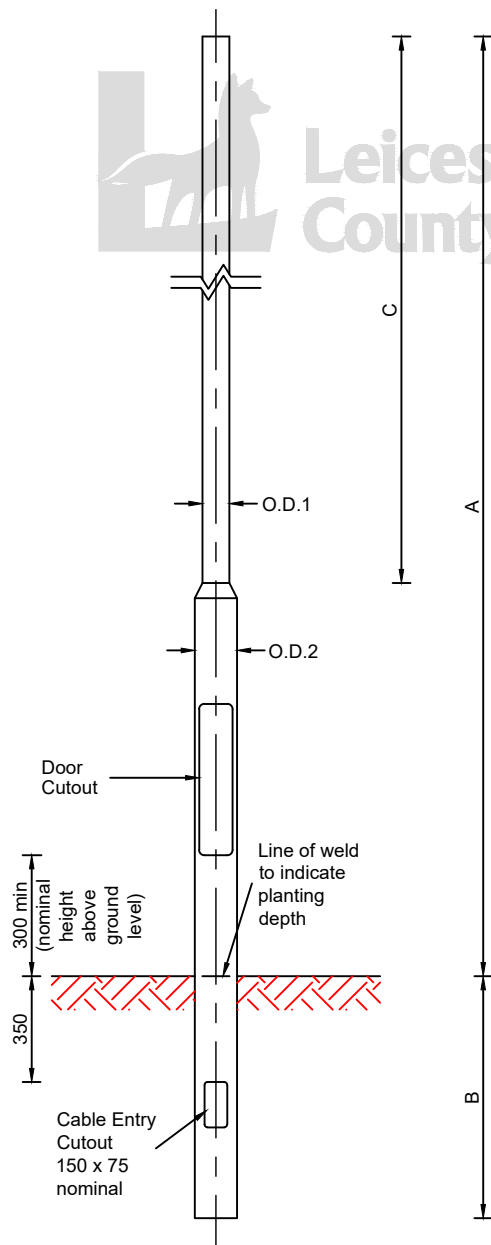


Leicestershire
County Council

NOTES:
1. All dimensions are in millimetres unless otherwise stated.

O.D.1	O.D.2	DIMENSION A	DIMENSION B	DIMENSION C	MINIMUM DOOR OPENING WIDTH	
76	140	3950	800	2850	110	500
89	140	4200	800	3100	110	500



Leicestershire
County Council

©Crown copyright 2015. All rights reserved. Use of this image is limited to viewing on-line and printing one copy. Leicestershire County Council. 100019271.

Leicestershire County Council
ENVIRONMENT AND TRANSPORT DEPARTMENT

TITLE: **TRAFFIC SIGNS**
DETAILS OF TUBULAR STEEL LARGE BASED TRAFFIC SIGN POST

DRAWING NUMBER	DATE			
SD/1200/14	APRIL 2024			
AUTOCAD REF	SCALE			
K:\GENERAL\ID9997\STD\DRG\STD DRGS 2015	NOT TO SCALE	0	01.04.2024	Supersedes Dwg. SD/12/14 - September 2002
Rev	Date	Notes on Revision		